

UMEA_02-W01



PROJECT

REFERENCE NUMBER

EX

UMEA_02-W01- 86 1011 - E26 120V - ELV - WHT - IW
MODEL STRUCTURE SOURCE TENSION DIMMING COLOR INTERIOR

DESIRED DELIVERY DATE:

QUANTITY

NOTES

CONFIGURATIONS

ORDER

MODEL	86 UMEA_02: Ø8" x 6-7/8"
-------	--------------------------

CODE

STRUCTURE

1011	WALL MOUNT: 10-5/8 H x 11-3/8 L
CUS*	PERSONALIZED <small>* PLEASE CONSULT THE COLOR PAGE</small>

LIGHT SOURCE

E26	MAX 60W
-----	---------

INPUT VOLTAGE

120V	120 VOLTS
------	-----------

DIMMING TYPE

ELV	TRIAC / ELV
-----	-------------

METAL STRUCTURE COLOR

BLK	BLACK
WHT	WHITE
SLV	SILVER
S___*	PERSONALIZED <small>* PLEASE CONSULT THE COLOR PAGE</small>

INTERIOR COLOR

IM	SAME COLOR
IW	WHITE
I___*	PERSONALIZED <small>* PLEASE CONSULT THE COLOR PAGE</small>



FEATURES

CERT. UL / cUL:	E313355
VOLTAGE:	INDOOR USE ONLY
FINISH:	120V
	POWDER COATED



UMEA_02-W01

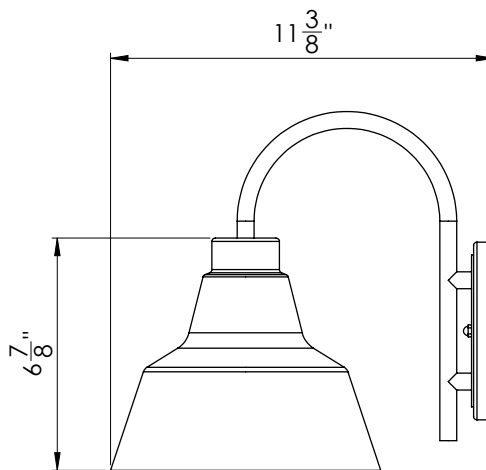
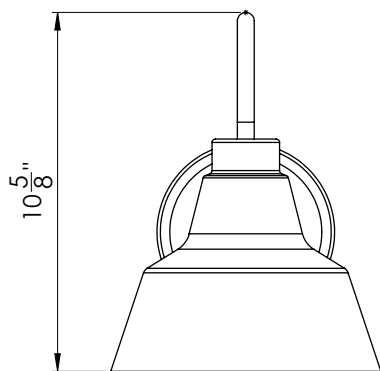
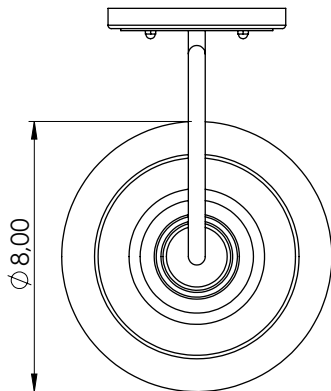


PROJECT

REFERENCE NUMBER

NOTES

PRODUCT SPECIFICATIONS



FEATURES

CERT. UL / cUL:	E313355
VOLTAGE:	INDOOR USE ONLY
FINISH:	120V
	POWDER COATED



COLOR PAGE



STANDARD COLORS



BLK



WHT



SLV

SOLID RAL COLORS



1018



2011



3012



3002



4009



4005



5024



5010



6019



6029



1028



2004



3022



3004



4003



4007



5015



5008



6018



6020



7035



7036



7006



7043



7022

* FOR MORE COLOR OPTIONS, PLEASE CONTACT YOUR ABBE REPRESENTATIVE

* ADDITIONAL COSTS MAY APPLY

METALIC FINISHES



GLD



ALU



PRL

WIRE COLOR



BC



WC



CC