

PILA-W



PROJECT

REFERENCE NUMBER

EX

PILA-W- **331** LED **27** - 120V - **BLK**
MODEL SOURCE CCT TENSION COLOR

DESIRED DELIVERY DATE

QUANTITY

NOTES

ORDER

MODEL
331 PILA 2" x 6"

CODE

LIGHT SOURCE

LED 3W

LED

COLOR TEMPERATURE

27 2700K
30 3000K

INPUT VOLTAGE

120V 120 VOLTS

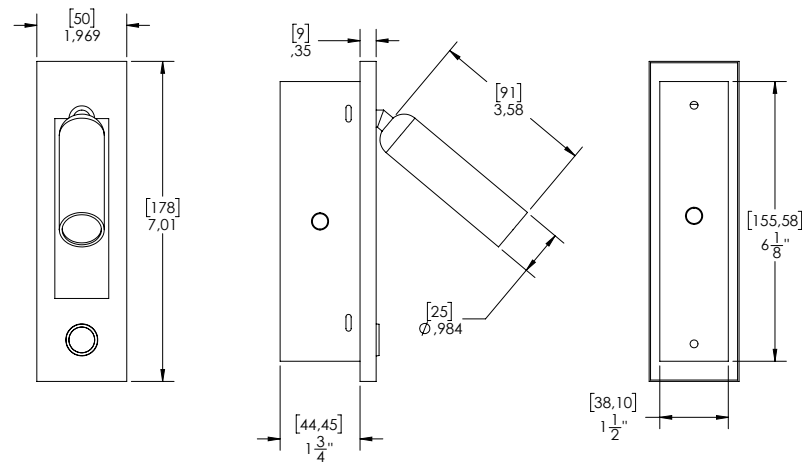
DIMMING TYPE

- UPON REQUEST

METAL STRUCTURE COLOR

BLK BLACK FINISH
GLD GOLD FINISH

PRODUCT SPECIFICATIONS



CONFIGURATIONS



FEATURES

CERT. UL / cUL:	E313355
VOLTAGE:	INDOOR USE ONLY
FINISH:	120V
	POWDER COATED

